

SECUREMAX[®]

High Security Fencing

Protecting your interests



Manufactured by
AUSTRALIAN SECURITY FENCING P/L





SECUREMAX®

High Security Fencing

100% Australian made, SECUREMAX® Fencing is manufactured especially for the security industry. It is widely used for its strength, appearance and anti-climb/anti-attack profile. Created from 4mm zinc alloy coated wire, the finger-proof mesh format is produced by machine contact welding at each intersection. The aperture of 71mm x 9mm makes it extremely difficult to penetrate using conventional hand tools presenting a higher delay factor greater than that of other fencing products. Rear tamper proof fixings assure that the panel cannot be removed from the attack side. The SECUREMAX® support posts are unique in profile, strength, fixing ability and ease of installation. Top and bottom rails can be utilised to provide additional strength. SECUREMAX® provides the complete security package for industrial and commercial properties to high security applications.

UNIQUE DESIGN

SECUREMAX® is unique in several ways. Minimal components means flexibility is available when ordering job quantities and additional components. Double “C” section posts and angle rails ensure the system is easy to transport, handle and install. This unique design allows SECUREMAX® to be suitable for level and sloping sites. SECUREMAX® mesh sheets incorporate additional edge wires for added strength and security at fixing points. Rear tamper proof fixings create a security fence which is undeniably a leader in its field.

PROVEN SECURITY

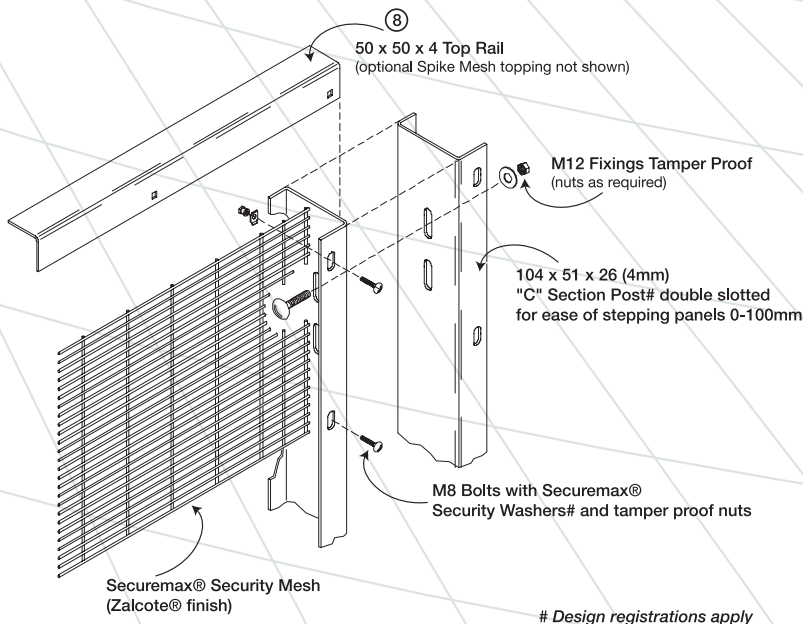
Recently ASIO tested and awarded SCEC endorsement, SECUREMAX® is several times harder to penetrate than other high security fences proving delay factors well beyond any other fencing product with the same benefits. The SECUREMAX® system gives an anti climb/attack profile that is finger proof and extremely difficult to cut. With a history of successful installations throughout Australia and Europe, closed space mesh security fencing is becoming the security fence of choice.

LONGEVITY

The wire used in SECUREMAX® has been specially designed for high security welded meshes. The zinc aluminium alloy coating provides superior corrosion resistance to ordinary galvanised coatings. The wire's unique tensile properties increase its resistance against penetration. Zinc aluminium alloy coatings offer excellent corrosion protection for wire products as they combine the benefits of active cathodic protection of zinc with the passive protection of aluminium. This zinc alloy coating of Securemax® conforms to Australian Standard 2423 – 2002. In external atmospheric conditions, a zinc / 5% aluminium coating offers from 2 to 4 times greater protection, per unit coating mass, than hot dipped galvanised zinc coatings.



TYPICAL SECUREMAX® FIXING DETAIL



APPEARANCE

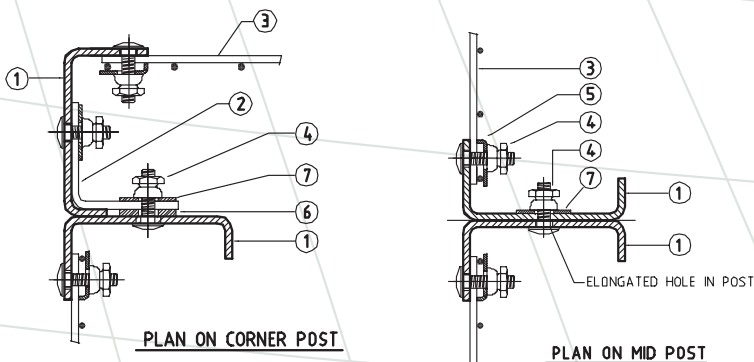
SECUREMAX® high security fencing is available in hot dipped galvanised and a range of powder coated colours which allows the fence to blend to your environment. The horizontal apertures provide a highly transparent finish to the fence line with minimal visual impact allowing clear camera surveillance to identify intruders. Combined with the use of "C" section posts the SECUREMAX® system gives a smooth aesthetic appearance belying its high security foundations.

INSTALLATION

The installation process for the SECUREMAX® High Security Fencing System is very simple and user-friendly. Minimal fencing components allow fast and accurate installation. The system has been designed to allow panels to step and/or rake making it suitable for all site conditions. SECUREMAX® mesh sheets are available in various lengths to accommodate raking.

The unique post design doubles as intermediate posts and corner posts eliminating the need for 90 degree corner posts. The system's versatility enables the consumer to purchase additional components and various toppings to be retrofitted to the installation if required.

TYPICAL SECUREMAX® POST DETAIL



1. Standard Securemax® Steel Fence Posts
2. Standard Securemax® Corner Bracket
3. Standard Securemax® Welded Mesh Panel
4. Standard Dome Bolt with Shear Nut
5. Standard Securemax® Washer
6. Standard Washer 4mm thick
7. Standard Washer 2mm thick
8. Standard Top and Bottom Rails

TOTAL SECURITY

SECUREMAX® Fencing brings with it an assurance that your property will be protected for years. The SECUREMAX® fencing system is a perfect structure to support or compliment various additional detection systems such as, EDS Electric Detection Systems which can be added for a total security package.

APPLICATIONS

- Correctional and Detention Facilities
- Water Treatment Plants
- Roads and Bridges
- Power Stations
- Industrial Factories
- Private Industries
- Shipping Ports
- Gas Lines
- Railways
- Airports
- Etc.

Other Products by Australian Security Fencing P/L include:



ForceField® Series Electronic Fence Controller



**RAZAR
TAPE**

Razar Tape® range of high security fencing products



Croc Top® range of high security fence toppings



Australian Security Fencing Pty Ltd
138 Fairey Road, South Windsor NSW 2756
Ph: 1800 666 927
www.asf4u.com.au

