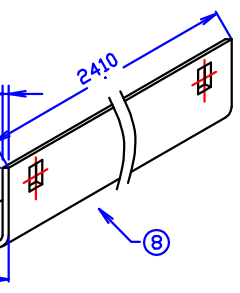
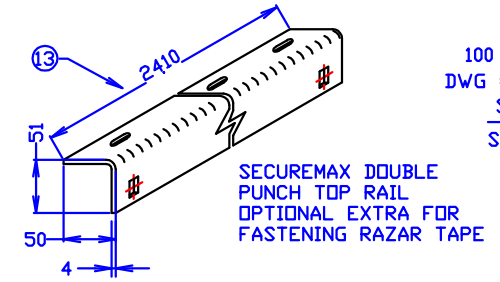


DETAIL 1
100 & 125mm DEEP
DWG # SFPH-10034 &
SFPH-12542
SCALE 6 : 1

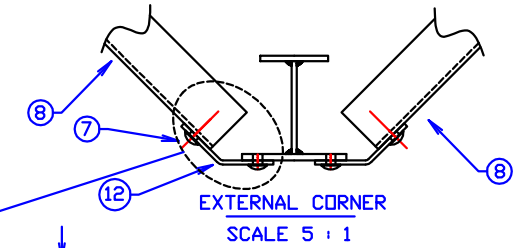
DETAIL 1
100 & 125mm DEEP
DWG # SFPH-10034 &
SFPH-12542
SCALE 6 : 1

DETAIL 1
125mm DEEP
DWG # SFPH-125748
SCALE 6 : 1

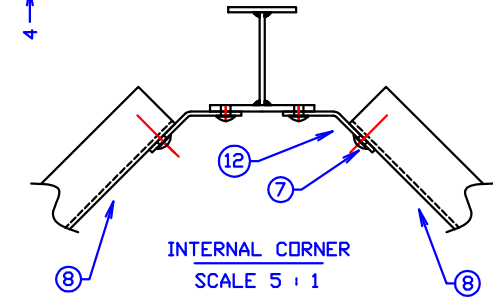
DETAIL 1
150mm DEEP
DWG # SFPH-15055
SCALE 6 : 1



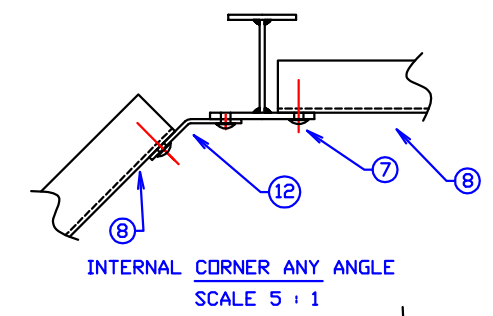
INLINE POST & RAIL ASSEMBLY
SCALE 5 : 1



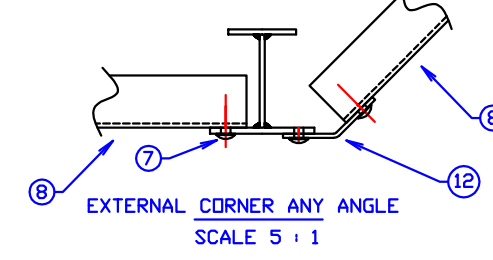
EXTERNAL CORNER
SCALE 5 : 1



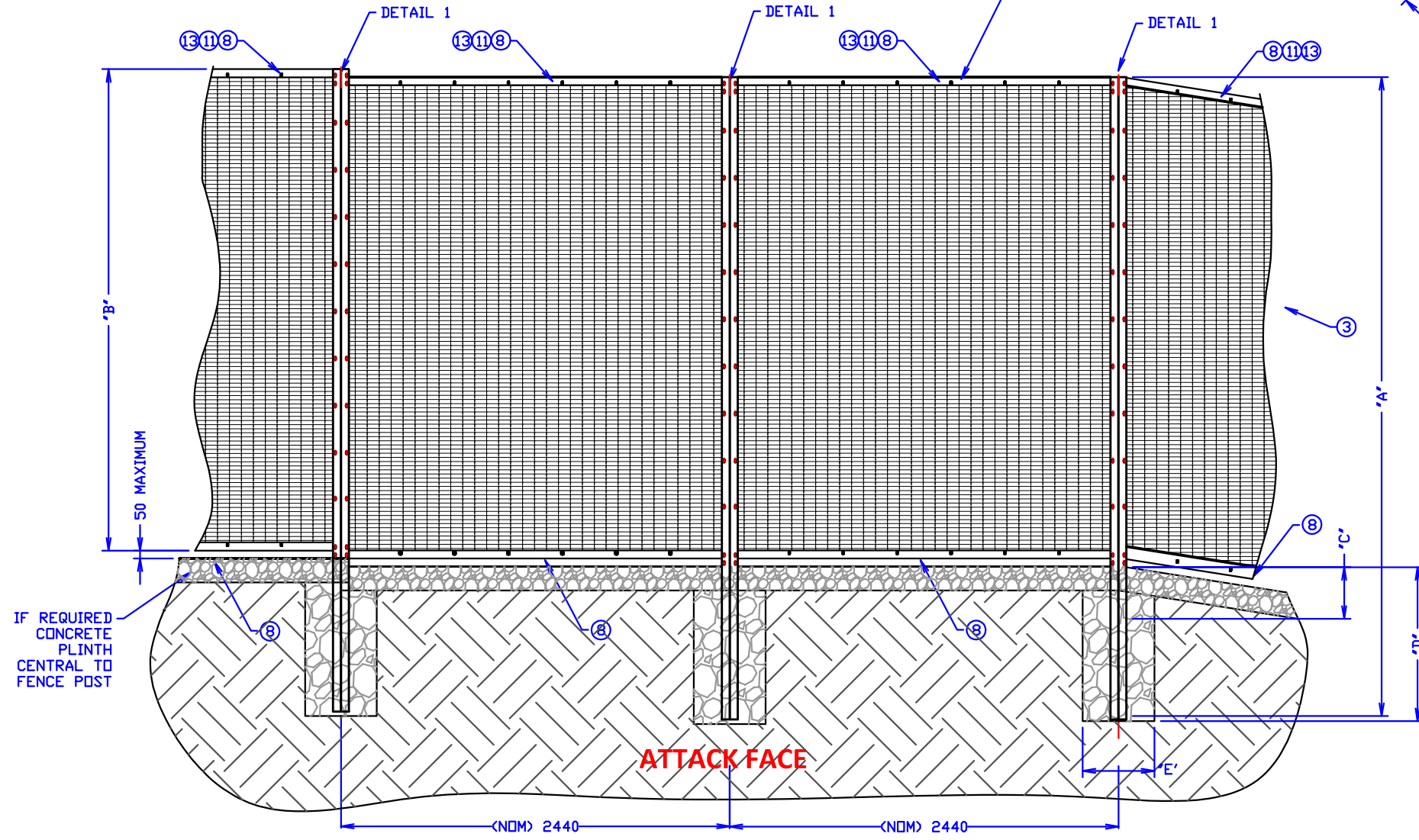
INTERNAL CORNER
SCALE 5 : 1



INTERNAL CORNER ANY ANGLE
SCALE 5 : 1



EXTERNAL CORNER ANY ANGLE
SCALE 5 : 1



SECUREMAX FENCING ALLOWS
VARIOUS TOPPING TO BE FASTENED
TO THE TOP RAIL AND POSTS.

NOTE:
A) THE ENCLOSED FOOTINGS DATA IS TYPICAL ONLY
FOR CLAY AREAS AND SHOULD BE CONFIRMED PRIOR TO
CONSTRUCTION.

TYPICAL FENCING PERFORMANCE DATA AS TO AS 1170.2

TYPE	NOMINAL FENCE HEIGHT	'A' OVERALL POST LENGTH	POST SECTION SIZES	'Y'	'B' OVERALL RAIL TO RAIL DIMENSION	'C' TYPICAL POST FOOTING DEPTH	'D' CONCRETE FOOTING DEPTH	'E' CONCRETE FOOTING DIAMETER	MOMENT OF INERTIA - I _{xx}	kg / m	V ₀ ULTIMATE M/SEC
A	2400mm	3400mm	100mm X 100mm DEEP Fy 380	100mm	2410mm	1000mm	1050mm	300mm	2.46 x 10 ⁶ mm ⁴	11.7 kg/m	84.0
C	2400mm	3300mm	100mm X 125mm DEEP Fy 380	125mm	2410mm	1200mm	1250mm	300mm	2.46 x 10 ⁶ mm ⁴	12.7 kg/m	96.5
B	2700mm	4200mm	100mm X 125mm DEEP Fy 380	125mm	2730mm	1200mm	1250mm	450mm	4.08 x 10 ⁶ mm ⁴	12.7 kg/m	83.5
B	3000mm	4200mm	100mm X 125mm DEEP Fy 380	125mm	3030mm	1200mm	1250mm	450mm	4.08 x 10 ⁶ mm ⁴	12.7 kg/m	70.0
C	3600mm	4800mm	100mm X 125mm DEEP Fy 380	125mm	3630mm	1200mm	1250mm	600mm	4.57 x 10 ⁶ mm ⁴	14.2 kg/m	60.0
C	4200mm	5500mm	100mm X 125mm DEEP Fy 380	150mm	4230mm	1500mm	1550mm	600mm	8.42 x 10 ⁶ mm ⁴	18.24 kg/m	65.0
D	4500mm	6000mm	100mm X 150mm DEEP Fy 380	150mm	4530mm	1500mm	1550mm	600mm	12.76 x 10 ⁶ mm ⁴	19.96 kg/m	61.0

ITEM	QUANTITY	DESCRIPTION
13	1 PER PANEL	SECUREMAX™ DOUBLE PUNCH RAIL 50 X 50 X 4 AVAILABLE IN 8 AND 12 HOLE
12		SECUREMAX™ INTERSECTION PLATE 100 X 4
11	1 PER PANEL	SECUREMAX™ CROCTOP TOP RAIL (OPTIONAL EXTRA)
8	2 PER PANEL	SECUREMAX™ RAIL 50 X 50 X 4
7		SECUREMAX™ M8 GALV DOME HEAD BOLT
5	8 PER PANEL	SECUREMAX™ M8 GALV SHEAR NUT
3	1 PER PANEL	SECUREMAX™ ZALCOTE WELD MESH SHEET
1	1 PER PANEL	SECUREMAX™ 'H' POST

AUSTRALIAN SECURITY FENCING

138 FAIREY ROAD
SOUTH WINDSOR
NSW 2756

PH: 02 4577-9633
FAX: 02 4577-3944
EMAIL: sales@asf4u.com.au

TITLE: SECUREMAX SECURITY FENCING SYSTEM GENERAL ARRANGEMENT

CLIENT: SECUREMAX SECURITY FENCING SYSTEM

PROJECT NAME: SECUREMAX 'H' POST SECURITY MESH FENCE SYSTEM.

DATE: 20-11-15

SCALE: NOT TO SCALE

DRAWING NUMBER: SMAX-HPSPEC-GA

REV: 3

COPYRIGHT: © THIS DRAWING INCLUDES THE PRINCIPLES OF DESIGN AND IS SUBMITTED BY AUSTRALIAN SECURITY FENCING PTY LTD WITH THE AGREEMENT THAT IT NOT TO BE REPRODUCED, COPIED OR LOANED IN PART OR WHOLE. IT IS NOT TO BE USED IN ANY MANNER THAT MAY CONSTITUTE A DETRIMENT DIRECTLY OR INDIRECTLY TO AUSTRALIAN SECURITY FENCING PTY LTD. ACCEPTANCE OF THIS DRAWING WILL BE CONSIDERED AS AN AGREEMENT TO THE ABOVE.